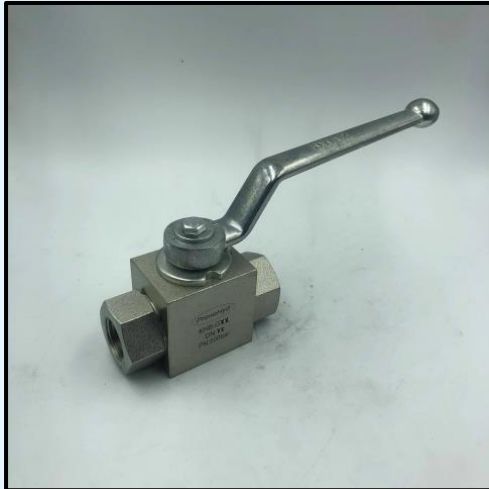


2-WAY BALL VALVES WITH THREADED CONNECTIONS



Item Code

KHB - G1/2

[1]

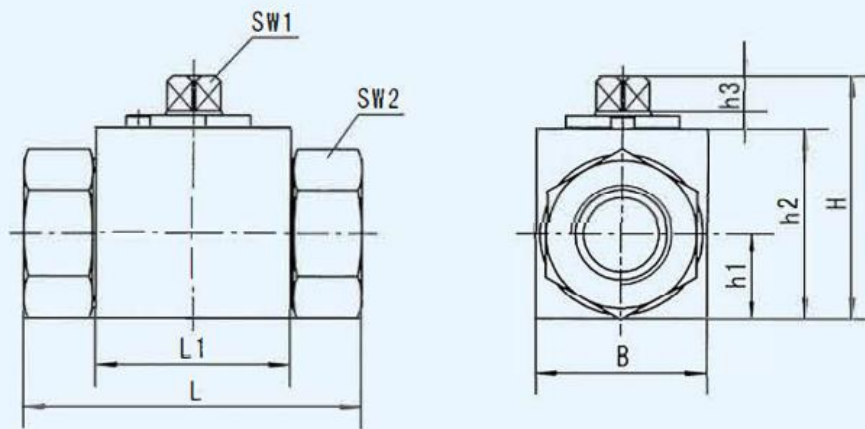
[2]

[1] Model: KHB-Square body DN04-25
KHM-Eight-square body DN32-50

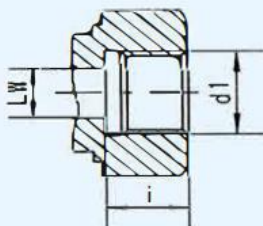
[2] Thread size: e.g. G1/2

Dimensions

KHB



ISO 228 Female



Model	DN	PN	LW	d1	i	L	L1	B	H	h1	h2	h3	SW1	SW2
KHB-G1/8	4	500	6	G1/8	10	69	37	28	44.5	13	32	8	9	22
KHB-G1/4	6	500	6	G1/4	14	69	37	28	44.5	13	32	8	9	22
KHB-G3/8	10	500	10	G3/8	14	72	42	32	52.5	17	40	8	9	27
KHB-G1/2-SW9	13	500	13	G1/2	16	83	48	35	52.5	17	40	8	9	30
KHB-G1/2-SW12	16	400	15	G1/2	16	83	47	38	63.5	19	46	11	12	32
KHB-G3/4	20	315	20	G3/4	18	95	60	48	75	24	57	12	14	41
KHB-G1	25	315	25	G1	20.5	113	65	57	82	28.5	64	12	14	50
KHB-G1 1/4	25/32	315	25	G1 1/4	22	120	65	60	82	28.5	64	12	14	55
KHB-G1 1/2	25/40	315	25	G1 1/2	24	130	65	60	82	28.5	64	12	14	60
KHM-G1 1/4	32	315	30	G1 1/4	22	110	84	82	108	41	87.5	14	17	60
KHM-G1 1/2	40	315	38	G1 1/2	24	130	91	93	119.5	46.5	99	14	17	70
KHM-G2	50	315	48	G2	26	140	100	110	135.5	55	115	14	17	80